

Cim 852F

FLANGED ANTISEISMIC SAFETY VALVE - ANSI 150 - VERTICAL INSTALLATION-BOTTOM INLET

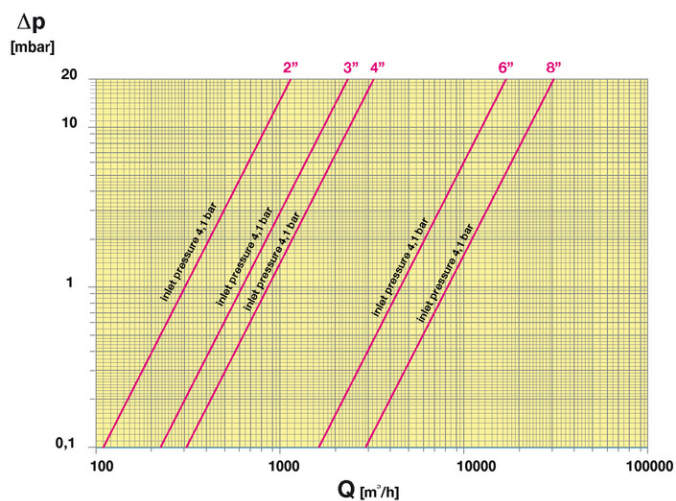


Manufactured according to management requirements of EN ISO 9001 standard.
 100% tested in accordance with EN 12266-1 standard.
 Suitable for gas at low pressure, in detail:
 Natural gas: gas by-product of oil (methane);
 Town gas: manufactured through different processes (cracking - cokerie - etc.)
 Liquid gas: propane and mixture of propane/butane gas.

It is guaranteed for 5 years

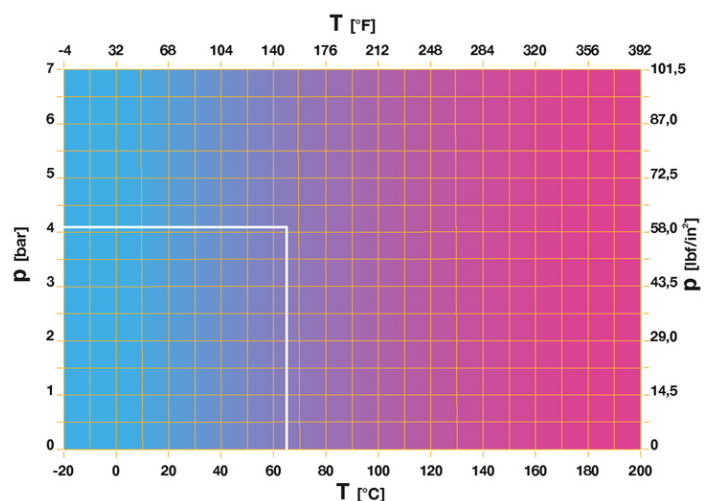
Made of A356-T6 anodized aluminium alloy

FLOW AND PRESSURE DROP



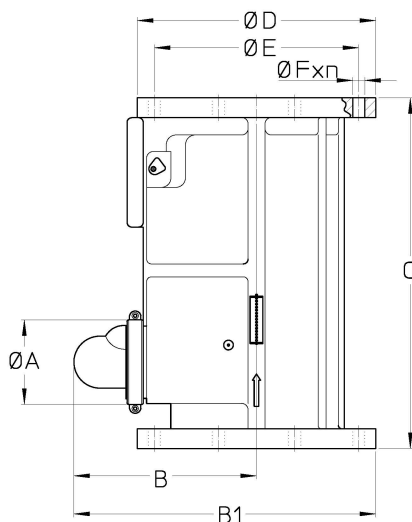
Notes:
 1 psi = 68,95 mbar
 1 mbar = 0,0145 psi

PRESSURE TEMPERATURE RATINGS



Notes:
 1 bar = 14,5 psi
 1 bar = 14,5 lbf/in²
 $^{\circ}\text{C} = 5/9 \times (^{\circ}\text{F} - 32)$
 $^{\circ}\text{F} = 32 + (9/5 \times ^{\circ}\text{C})$

TECHNICAL DRAWING



DN	2"	3"	4"	6"	8"
Φ A	98	98	98	98	98
Φ D	152	191	229	279	343
Φ E	121	152	191	241	298
Φ Fxn	19x4	19x4	19x8	22x8	22x8
Grms.	3700	5500	7300	13300	27900
B	137	137	162	191	244
B1	213	232	276	330	410
C	181	191	191	314	416

Flanging:
ASME/ANSI B16.5 Class 150

TECHNICAL CHARACTERISTICS

CV					
DN	2"	3"	4"	6"	8"
CV	164	336	480	1769	3136

CV = Flow rate in gallons per minute (gpm) at a pressure drop of 1 psi.

OUR CERTIFICATIONS

