

## Cim 855

### ANTISEISMIC CIRCUIT BREAKER FOR HORIZONTAL INSTALLATION



Manufactured according to management requirements of EN ISO 9001 standard.  
100% tested in accordance with EN 12266-1 standard.

Suitable for gas at low pressure, in detail:

Natural gas: gas by-product of oil (methane);

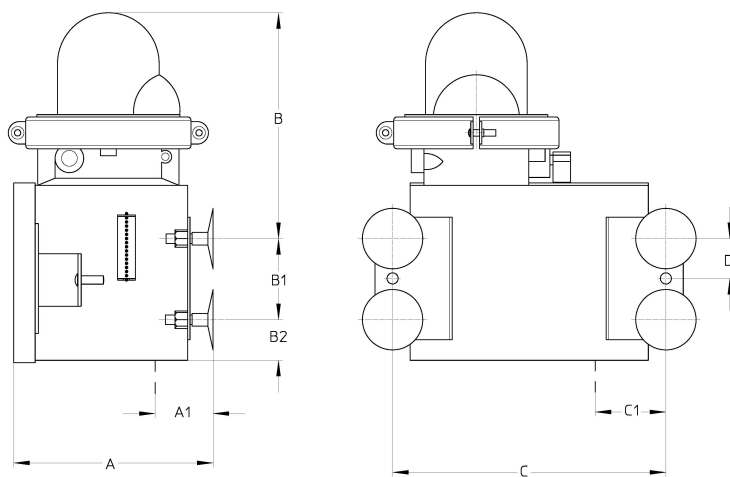
Town gas: manufactured through different processes (cracking - cokerie - etc.)

Liquid gas: propane and mixture of propane/butane gas.

It is guaranteed for 5 years

Made of 348.0 and A356-T6 anodized aluminium alloy.

## TECHNICAL DRAWING



A	123,7
A1	47,5
B	139,7
B1	50,8
B2	25,4
C	171,4
C1	50,8
D	25,4

## OUR CERTIFICATIONS

**EAC**