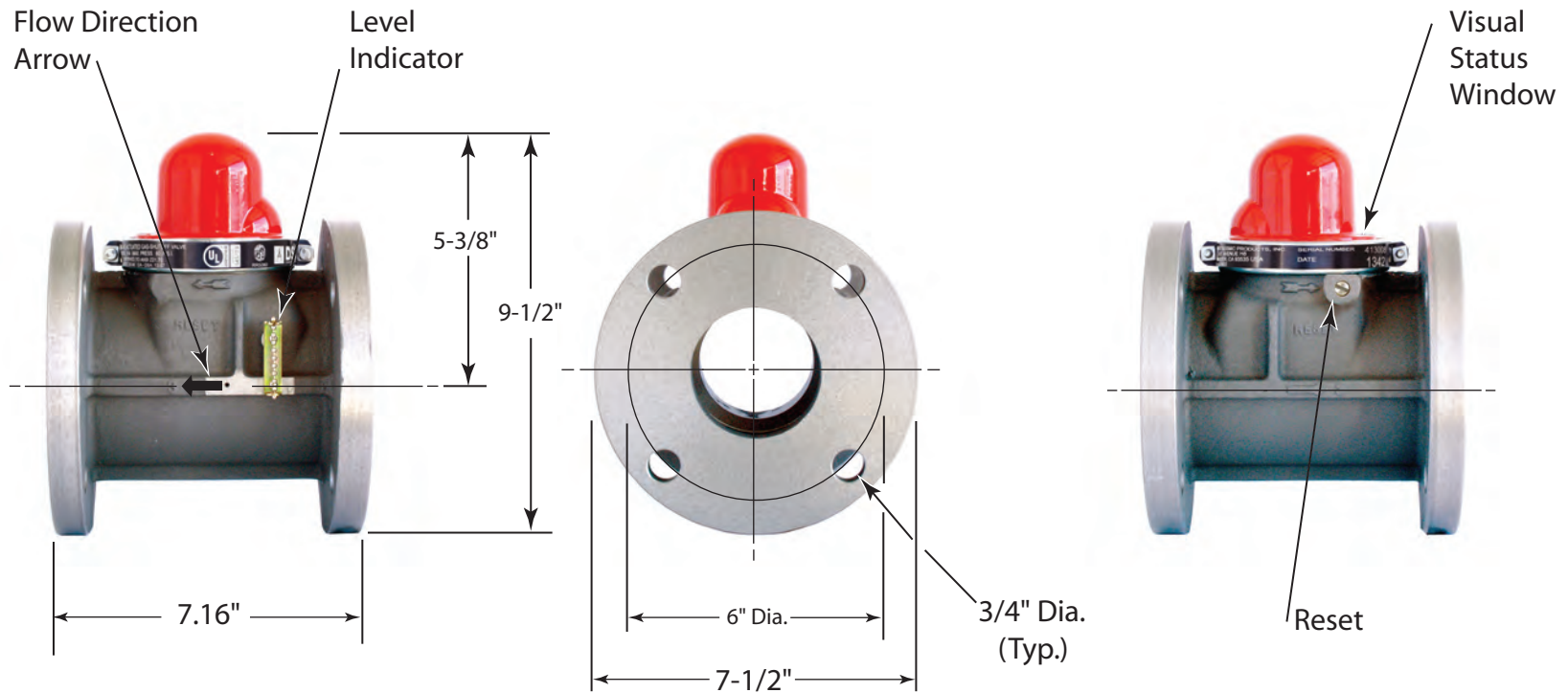


# Specifications: Model 315F(60) Flanged Valve Horizontal Flow



Valve Model#	CA-DSA No.	Length	Height	Diameter	Nominal Pipe Size	APPLICATION	DATA	Diameter On Center	Diameter Hole (Typ.)	Number of Holes
						Max. Pressure	Fuel			
315F	13-13	7.16"	5-3/8"	7-1/2"	3"	60 psi	Dry Fuel Gas	6" Dia.	3/4" Dia.	4

