

# Model 501 Remote Actuator

Works With All CALIFORNIA Valves



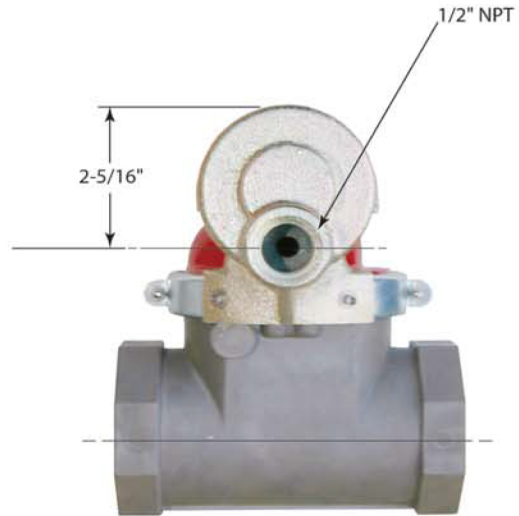
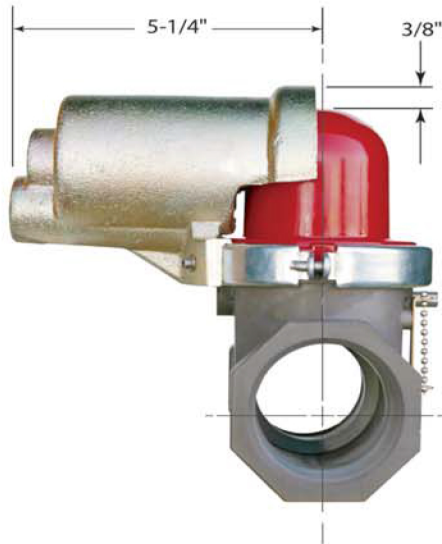
Remote Actuator shown installed on 1-1/2" valve, installation is typical.

The Model 501 Remote Actuator will add an additional layer of protection to panic switches, fire and sprinkler alarm systems. A CALIFORNIA valve with the 501 Remote Actuator will trip during a violent earthquake or when an electrical signal is present.

Available for all CALIFORNIA valves, 3/4" to 6" vertical or horizontal, the actuator is factory installed at the time of manufacture. It is not available as a retro fit to existing valves.

A typical customer's system would include a 24 volt transformer, panic switch and our RA 501, providing both panic/emergency shut off and seismic protection.

## Specifications



Switch: Normally Open

Wire: Low Voltage

Voltage: 24

Draw: 15 Watts

# Specifications: Model 501 Remote Actuator

## Available For All CALIFORNIA Valves

